

Main

Range of product	Harmony Easy XA2
Product or component type	Complete push-button
Device short name	XA2
Bezel material	Plastic
Fixing collar material	Plastic
Mounting diameter	22 mm
Sale per indivisible quantity	1

Complementary

Operating position	Any position
Device mounting	Fixing hole
Fixing center	>= 30 x 40 mm (panel) - thickness: 1...5 mm
Fixing mode	Fixing nut recommended torque: 2...2.4 N.m
Shape of signaling unit head	Round
Type of operator	Spring return
Operator profile	Mushroom Ø 40 mm (green)
Contacts type and composition	1 NC
Contact operation	Slow-break
Mechanical durability	1500000 cycles
Connections - terminals	Screw clamp terminal, clamping capacity: <= 2 x 1.5 mm ² Screw clamp terminal, clamping capacity: <= 1 x 2.5 mm ² Screw clamp terminal, clamping capacity: >= 1 x 0.5 mm ² Faston terminals, connection size: 6.3 mm
Tightening torque	0.8 N.m
Short-circuit protection	10 A (gL fuse) conforming to IEC 60269-1
[I _{th}] conventional free air thermal current	10 A
[U _i] rated insulation voltage	600 V conforming to IEC 60947-1
[U _{imp}] rated impulse withstand voltage	6 kV conforming to IEC 60947-1
[I _e] rated operational current	3 A at 240 V AC-15 A600 0.27 A at 250 V DC-13 Q600
Electrical durability	500000 cycles - utilisation category: AC-15 3 A at 230 V, operating rate: 60 cyc/mn, load factor: 0.5 conforming to IEC 60947-5-4 500000 cycles - utilisation category: DC-13 0.2 A at 110 V, operating rate: 60 cyc/mn, load factor: 0.5 conforming to IEC 60947-5-4
Electrical reliability	$\Lambda < 10\exp(-8)$ at 24 V
Height	30 mm
Width	42 mm
Depth	74.2 mm
Product weight	0.052 kg

Environment

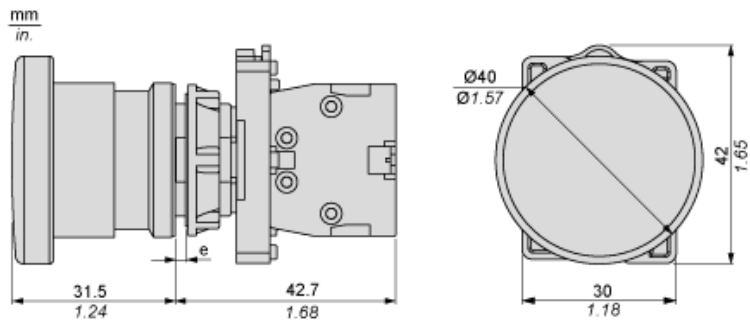
protective treatment	TC
ambient air temperature for storage	-40...70 °C
ambient air temperature for operation	-25...55 °C
overvoltage category	Class I conforming to IEC 536
IP degree of protection	IP65 conforming to IEC 60529

IK degree of protection	IK03 conforming to IEC 60529
standards	IEC 60947-1 IEC 60947-5-1 GB 14048.5 GB 14048.1
product certifications	CCC CE
vibration resistance	10 gn (f= 40...500 Hz) conforming to IEC 60068-2-6
shock resistance	15 gn, duration: 11 ms (half sine wave acceleration) conforming to IEC 60068-2-27

Offer Sustainability

Sustainable offer status	Green Premium product
RoHS (date code: YYWW)	Compliant - since 1822 - Schneider Electric declaration of conformity
REACH	Reference not containing SVHC above the threshold
Product environmental profile	Available
Product end of life instructions	Available

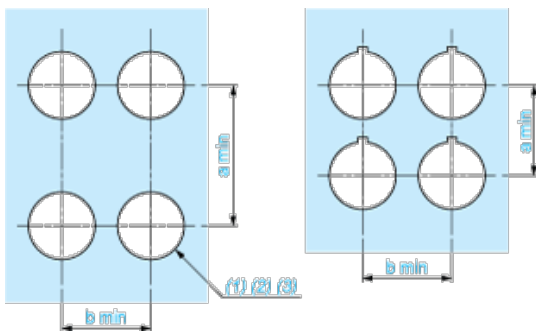
Dimensions



(e) Clamping thickness: 1 to 6 mm / 0.04 to 0.24 in.

Panel Cut-out for Pushbuttons, Switches and Pilot Lights (Finished Holes, Ready for Installation)

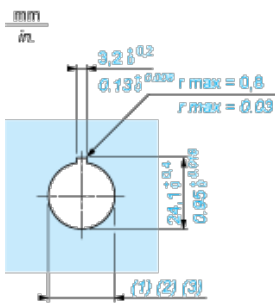
Connection by Screw Clamp Terminals or Plug-in Connectors or on Printed Circuit Board



- (1) Diameter on finished panel or support
- (2) For selector switches and Emergency stop buttons, use of an anti-rotation plate type ZB5AZ902 is recommended.
- (3) Ø22.5 mm recommended (Ø22.3^{+0.4}) / Ø0.89 in. recommended (Ø0.88 in. ^{+0.016})

Connections	a in mm	a in in.	b in mm	b in in.
By screw clamp terminals or plug-in connector	40	1.57	30	1.18
By Faston connectors	45	1.77	32	1.26
On printed circuit board	30	1.18	30	1.18

Detail of Lug Recess



- (1) Diameter on finished panel or support
- (2) For selector switches and Emergency stop buttons, use of an anti-rotation plate type ZB5AZ902 is recommended.
- (3) $\varnothing 22.5$ mm recommended ($\varnothing 22.3 \pm 0.4$) / $\varnothing 0.89$ in. recommended ($\varnothing 0.88 \pm 0.016$)