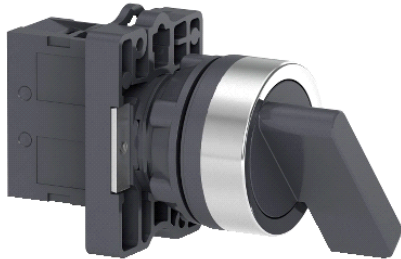


XA2EJ21

selector switch - Ø22 - long handle - 2 positions - 1NO



Main

Range of product	Harmony Easy XA2
Product or component type	Complete selector switch
Device short name	XA2
Bezel material	Plastic
Mounting diameter	22 mm

Complementary

Sale per indivisible quantity	1
Fixing center	>= 30 x 40 mm (panel) - thickness: 1...5 mm
Fixing mode	Fixing nut recommended torque: 2...2.4 N.m
Shape of signaling unit head	Round
Type of operator	Stay put
Operator profile	Long handle (black)
Operator position information	2 positions
Contacts type and composition	1 NO
Contact operation	Slow-break
Mechanical durability	300000 cycles
Connections - terminals	Faston terminals, connection size: 6.3 mm Screw-clamp terminal, clamping capacity: <= 2 x 1.5 mm ² Screw-clamp terminal, clamping capacity: <= 1 x 2.5 mm ² Screw-clamp terminal, clamping capacity: >= 1 x 0.5 mm ²
Tightening torque	0.8 N.m
Short-circuit protection	10 A (fuse) gL conforming to IEC 60269-1
[I _{th}] conventional free air thermal current	10 A (screw-clamp terminals)
[U _i] rated insulation voltage	600 V conforming to EN 60947-1
[U _{imp}] rated impulse withstand voltage	6 kV conforming to EN 60947-1
[I _e] rated operational current	3 A at 240 V AC-15 A600 0.27 A at 250 V DC-13 Q600
Electrical durability	500000 cycles - utilisation category: AC-15 3 A at 230 V, operating rate: 60 cyc/mn, load factor: 0.5 conforming to IEC 60947-5-4 500000 cycles - utilisation category: DC-13 0.2 A at 110 V, operating rate: 60 cyc/mn, load factor: 0.5 conforming to IEC 60947-5-4
Electrical reliability	$\Lambda < 10\exp(-8)$ at 24 V
Width	30 mm
Height	48.5 mm
Depth	68.2 mm
Product weight	0.041 kg

Environment

protective treatment	TC
ambient air temperature for storage	-40...70 °C
ambient air temperature for operation	-25...55 °C
overvoltage category	Class I conforming to IEC 536
IP degree of protection	IP65 conforming to IEC 60529

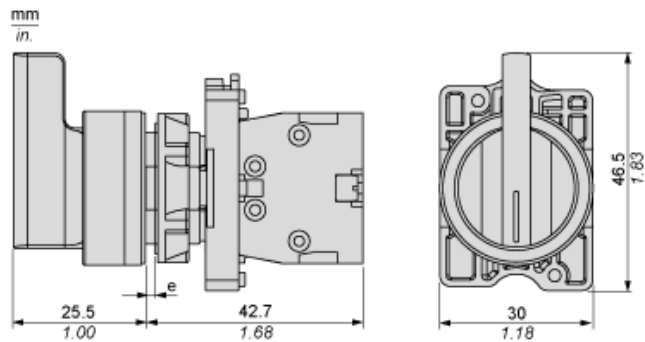
The information provided in this documentation contains general descriptions and/or technical characteristics of the products contained herein. This documentation is not intended as a substitute for and is not to be used for determining suitability or reliability of these products for specific user applications. It is the duty of any such user or integrator to perform the appropriate and complete risk analysis, evaluation and testing of the products with respect to the relevant specific application or use thereof. Neither Schneider Electric Industries SAS nor any of its affiliates or subsidiaries shall be responsible or liable for misuse of the information contained herein.

IK degree of protection	IK06 conforming to IEC 60529
standards	IEC 60947-1 IEC 60947-5-1 GB 14048.5 GB 14048.1
product certifications	CCC CE
vibration resistance	10 gn (f= 40...500 Hz) conforming to IEC 60068-2-6
shock resistance	120 gn, duration: 11 ms (half sine wave acceleration) conforming to IEC 60068-2-27

Offer Sustainability

Sustainable offer status	Green Premium product
RoHS (date code: YYWW)	Compliant - since 1822 - Schneider Electric declaration of conformity
REACH	Reference not containing SVHC above the threshold
Product environmental profile	Available
Product end of life instructions	Available

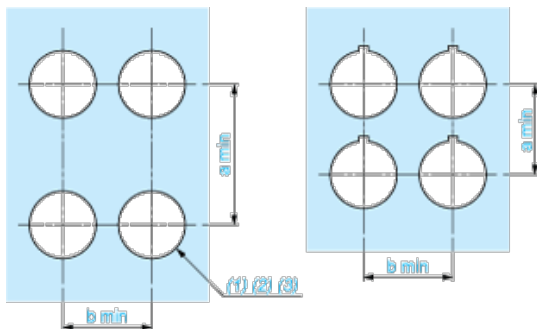
Dimensions



(e) Clamping thickness: 1 to 6 mm / 0.04 to 0.24 in.

Panel Cut-out for Pushbuttons, Switches and Pilot Lights (Finished Holes, Ready for Installation)

Connection by Screw Clamp Terminals or Plug-in Connectors or on Printed Circuit Board



- (1) Diameter on finished panel or support
- (2) For selector switches and Emergency stop buttons, use of an anti-rotation plate type ZB5AZ902 is recommended.
- (3) Ø22.5 mm recommended ($\text{Ø}22.3_{0}^{+0.4}$) / Ø0.89 in. recommended ($\text{Ø}0.89_{0}^{+0.016}$)

Connections	a in mm	a in in.	b in mm	b in in.
By screw clamp terminals or plug-in connector	40	1.57	30	1.18
By Faston connectors	45	1.77	32	1.26
On printed circuit board	30	1.18	30	1.18

Detail of Lug Recess



- (1) Diameter on finished panel or support
- (2) For selector switches and Emergency stop buttons, use of an anti-rotation plate type ZB5AZ902 is recommended.
- (3) $\varnothing 22.5$ mm recommended ($\varnothing 22.3 \text{ }_0^{+0.4}$) / $\varnothing 0.89$ in. recommended ($\varnothing 0.88 \text{ in. }_0^{+0.016}$)