

XALE2

empty control station - light grey - 2 cut-outs - IP54 -
for XB7 Ø 22 mm



Main

| | |
|-------------------------------|--|
| Range of product | Harmony XALE |
| Product or component type | Empty control station |
| Device short name | XALE |
| Product destination | For XB7 Ø 22 mm control and signalling units |
| Number of cut-out | 2 cut-outs |
| Colour of base of enclosure | Light grey RAL 7035 |
| Colour of cover | Light grey RAL 7035 |
| Material | ABS (acrylonitrile butadiene-styrene) |
| Cable entry | 2 knock-outs, clamping capacity <= 20 mm 6 knock-outs for ISO M20 |
| Sale per indivisible quantity | 5 |
| IP degree of protection | IP54 conforming to IEC 60529 |

Complementary

| | |
|----------------|-----------------------|
| Assembly style | For customer assembly |
| Product weight | 0.1 kg |
| Marking | CE |

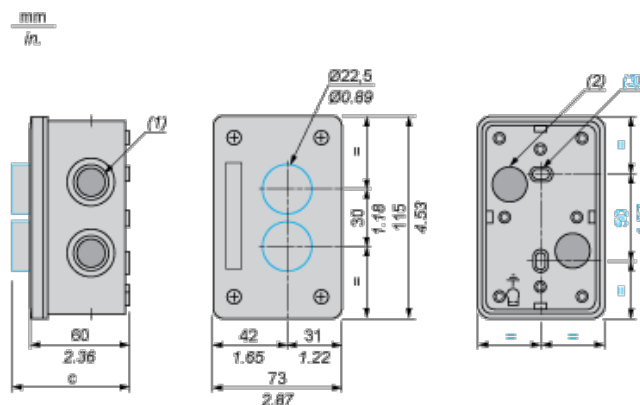
Environment

| | |
|---------------------------------------|--|
| protective treatment | TC |
| ambient air temperature for storage | -40...70 °C |
| ambient air temperature for operation | -25...55 °C |
| electrical shock protection class | Class II conforming to IEC 60536 |
| IK degree of protection | IK05 conforming to EN 50102 |
| standards | EN/IEC 60947-1 EN/IEC 60947-5-1 EN/IEC 60947-5-5 EN/IEC 62208 |

Contractual warranty

| | |
|-----------------|-----------|
| Warranty period | 18 months |
|-----------------|-----------|

Dimensions



(2) 2 knock-outs for cable entry, maximum capacity 20 mm / 0.79 in.

(3) 2 knock-out elongated fixing holes \varnothing 3 mm x 5 mm / \varnothing 0.12 in. x 0.20 in.

| Control station XALE fitted with: | c in mm | c in in. |
|--|----------------|-----------------|
| Flush pushbutton | 69 | 2.72 |
| Projecting pushbutton | 71 | 2.79 |
| Illuminated pushbutton | 74.5 | 2.93 |
| Pilot light | 71 | 2.79 |
| Emergency stop without key | 89.5 | 3.52 |
| Selector switch with standard handle | 84.5 | 3.33 |
| Key switch | 100 | 3.94 |