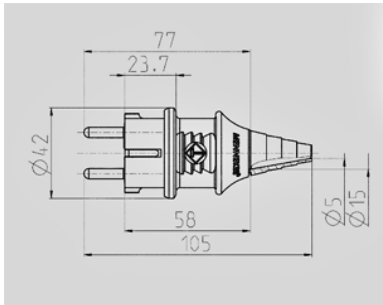


Plug SCHUKO® - Part no. 10749

- screw terminals
- with combined PE-conductor acc. to german and french-belgian standard
- with grommet
- for cables up to 3 x 2.5 mm², up to H07RN-F

Technical information	
Ampere	16 A
Poles	2p+E
Voltage	230V
Shutter	yes
Connection technology	Screw terminals
Contact	standard
Protection type	IP 44



Drawing
2 MB 139

Dim. in mm