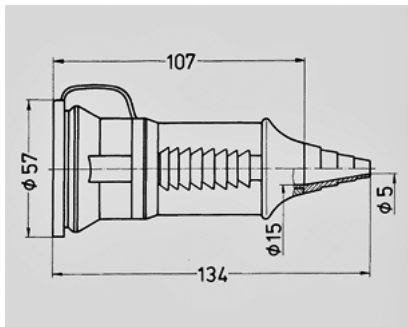


Connector SCHUKO® - Part no. 10751

- screw terminals
- with grommet and lid
- for cables up to 3 x 2.5 mm², up to H07RN-F

Technical information

Ampere	16 A
Poles	2p+E
Voltage	230V
Shutter	yes
Connection technology	Screw terminals
Contact	standard
Protection type	IP 44

Drawing
3 MB 39

Dim. in mm