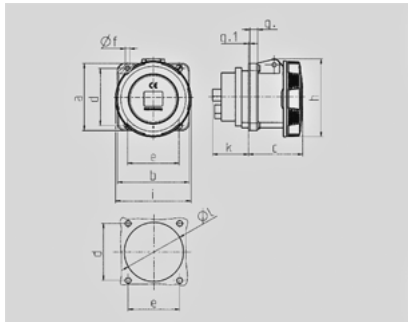


Panel mounted receptacle - Part no. 1124A


- screw terminals
- 63A: SoftCONTACT
- 125A: TorsionSpringCONTACT
- straight
- receptacles with pilot contact: part no. + index P

Technical information

Ampere	63 A
Poles	4p
Voltage	400V
Earth position	6 h
Hertz	50-60 Hz
Connection technology	Screw terminals, SoftCONTACT
Contact	standard
Protection type	IP 67



Drawing 1 MB 212/258	Amp. Poles	63			125	
		3	4	5	4	5
Dim. in mm	a	107	107	107	130	130
	b	100	100	100	130	130
	c	81	81	81	119	119
	d	85	85	85	104	104
	e	77	77	77	104	104
	f	6	6	6	6,5	6,5
	g	12	12	12	18	18
	g.1	2	2	2	2	2
	h	117	117	117	129	129
	i	113	113	113	126	126
	k	55	55	55	43	43
	l	88	88	88	95	95
Terminal for cond. cross		6	6	6	25	25
section (mm²) min.-max.		-25	-25	-25	-70	-70