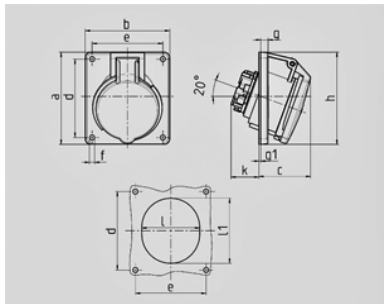


Panel mounted receptacle with TwinCONTACT - Part no. 1638


- screwless spring terminals
- suitable for through wiring
- 20° inclination

| Technical information | |
|-----------------------|-------------------------|
| Ampere | 16 A |
| Poles | 4p |
| Voltage | 400V |
| Earth position | 6 h |
| Hertz | 50-60 Hz |
| Connection technology | Screwless - TwinCONTACT |
| Contact | standard |
| Protection type | IP 44 |



| Drawing 1 MB 465 Dim. in mm | Amp. Poles | 16 | | | 32 | | |
|---|---------------|------|-----|-----|-----|-----|-----|
| | | 3 | 4 | 5 | 3 | 4 | 5 |
| a | | 73,5 | 100 | 100 | 100 | 100 | 100 |
| b | | 64 | 92 | 92 | 92 | 92 | 92 |
| c | | 52 | 58 | 58 | 61 | 61 | 60 |
| d | | 60 | 85 | 85 | 85 | 85 | 85 |
| e | | 52 | 77 | 77 | 77 | 77 | 77 |
| f | | 5,5 | 5,5 | 5,5 | 5,5 | 5,5 | 5,5 |
| g | | 7 | 8 | 8 | 8 | 8 | 8 |
| g-1 | | 2 | 2 | 2 | 2 | 2 | 2 |
| h | | 79 | 100 | 100 | 103 | 103 | 105 |
| k | | 31 | 31 | 31 | 44 | 44 | 54 |
| l | | 52 | 55 | 65 | 70 | 70 | 73 |
| lt | | 60 | 63 | 72 | 82 | 82 | 85 |
| Terminal for cond. cross section (mm²) min.-max. | | 1,5 | 1,5 | 1,5 | 2,5 | 2,5 | 2,5 |
| | | -4 | -4 | -4 | -6 | -6 | -6 |