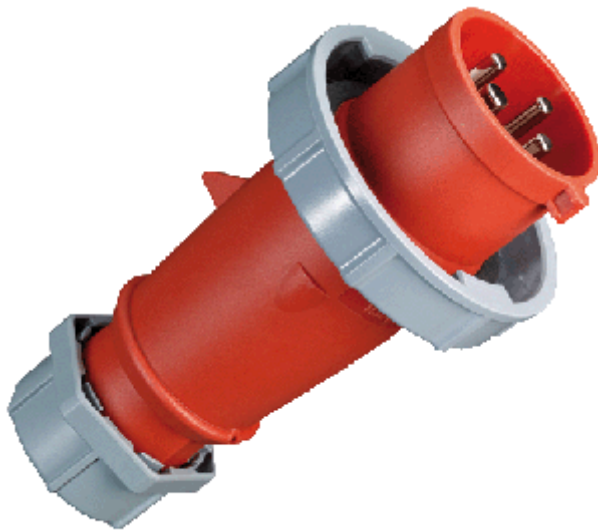
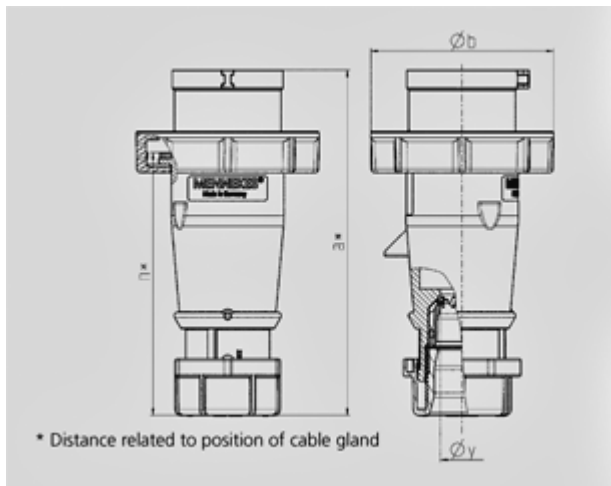


Plug AM-TOP® - Part no. 2175B


- screw terminals
- highly heat resistant contact carrier
- nickel plated contacts
- single part body
- cable gland and sealing
- strain relief and protection against kinking

Protection type	IP 67
Ampere	32 A
Poles	4p
Voltage	380-440
Hertz	50-60Hz
Earth position	3h
Contact	nickel plated contacts, highly heat resistant contact carrier
Connection technology	Screw terminals

Std. Pack. 10 Qty.



Drawing	Amp.	32
2 MB 218-2	Poles	4
Dim. in mm	a*max	178
	b	94
	n*max	135
	y	22
Terminal for cond. cross		2,5
section (mm²) min.-max.		—6