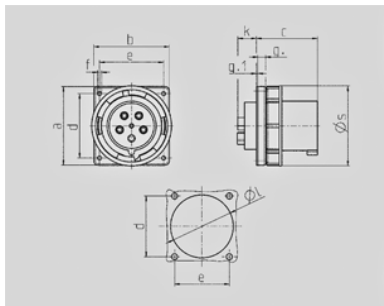


**Panel mounted inlet - Part no. 3600**



- screw terminals
- with highly heat resistant contact carrier
- nickel plated contacts
- 63A: a retaining nose to hold the hinged lid of the connector must be provided by the customer in order to ensure satisfactory locking

Technical information	
Ampere	125 A
Poles	4 p
Voltage	500V
Earth position	7 h
Hertz	50-60 Hz
Connection technology	Screw terminals
Contact	nickel plated contacts, highly heat resistant contact carrier
Protection type	IP 67



Drawing 2 MB 166 Dim. in mm	Amp. Poles	63			125		
		3	4	5	3	4	5
a		110	110	110	130	130	130
b		106	106	106	130	130	130
c		86	86	86	112	112	112
d		90	90	90	104	104	104
e		90	90	90	104	104	104
f		5,5	5,5	5,5	6,5	6,5	6,5
g.		12	12	12	18	18	18
g.1		2	2	2	2	2	2
k		28	28	28	28	28	28
l		88.5	88.5	88.5	95	95	95
s		113	113	113	132	132	132
Terminal for cond. cross section (mm <sup>2</sup> ) min.-max.		6	6	6	25	25	25
		-16	-16	-16	-70	-70	-70