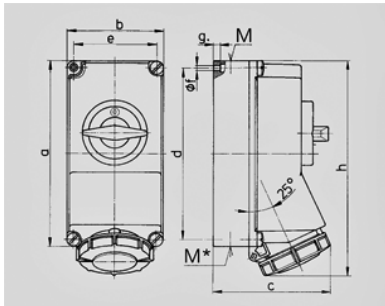


Wall mounted receptacle - Part no. 5603A


- switched
- mechanical DUO-interlock
- receptacles can be padlocked

Technical information

Ampere	16 A
Poles	5p
Voltage	400V
Earth position	6 h
Hertz	50-60 Hz
Connection technology	Screw terminals
Contact	standard
Protection type	IP 67



Drawing 1 MB 207	Amp. Poles	16			32		
		3	4	5	3	4	5
Dim. in mm							
a		225	225	225	225	225	225
b		118	118	118	118	118	118
c		144	146	147	152	152	153
d		208	208	208	208	208	208
e		101	101	101	101	101	101
f		6,3	6,3	6,3	6,3	6,3	6,3
g		8	8	8	8	8	8
h		252	255	259	268	268	274
M		1xM25 and 1xM32			1xM25 and 1xM32		
M*		2x25	2x25	2x25	2x25	2x25	2x25
Max. cable diam. (mm)		25	25	25	25	25	25
Terminal for cond. cross section (mm ²) min.-max.		1,5	1,5	1,5	2,5	2,5	2,5
		-4	-4	-4	-10	-10	-10