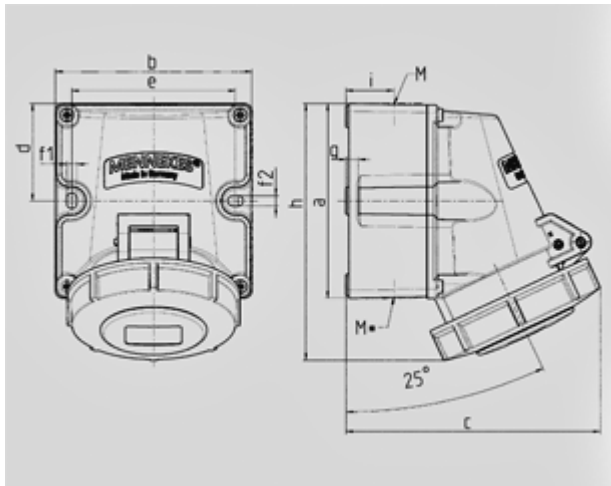


**Wall mounted socket - Part no. 9372**


- screw terminals
- highly resistant to chemicals
- with 2 external fixing points
- enclosure base can be turned 180°
- sockets are designed for adding an auxiliary contact switch

Protection type	IP 67
Ampere	32 A
Poles	4p
Voltage	400
Hertz	50-60Hz
Earth position	6h
Contact	standard
Connection technology	Screw terminals

Std. Pack. 5 Qty.



Drawing	Amp.	16			32		
		3	4	5	3	4	5
<b>1 MB 622</b>	<b>Poles</b>						
<b>Dim. in mm</b>	<b>a</b>	100	100	100	100	100	100
	<b>b</b>	101	101	101	109	109	109
	<b>c</b>	117	125	131	157	157	160
	<b>d</b>	50	50	50	50	50	50
	<b>e</b>	84	84	84	92	92	92
	<b>f1</b>	5,3	5,3	5,3	5,3	5,3	5,3
	<b>f2</b>	5,3	5,3	5,3	5,3	5,3	5,3
	<b>g</b>	6,5	6,5	6,5	6,5	6,5	6,5
	<b>h</b>	131	131	132	148	148	148
	<b>i</b>	24,7	24,7	24,7	27,5	27,5	27,5
	<b>M</b>	25 (optional M20)			32 (optional M25)		
	<b>M*</b>	2x25 (blind) to be cut out			2x25 (blind) to be cut out		
	<b>Max. cable diam. (mm)</b>	18 (M25) and 15 (M20)			25 (M32) and 18 (M25)		
	<b>Terminal for cond. cross section (mm²) min.-max.</b>	1,5	1,5	1,5	2,5	2,5	2,5
		-4	-4	-4	-6	-6	-6