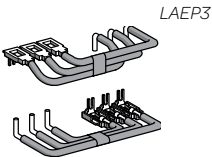
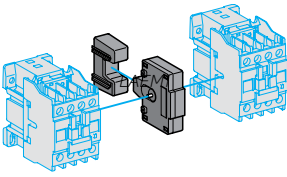
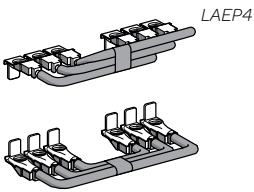


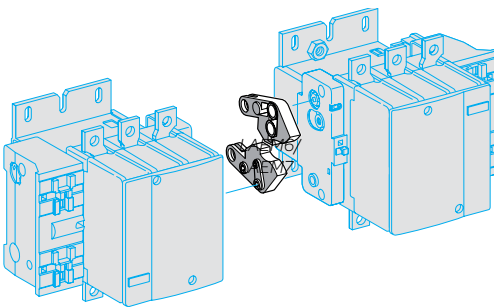
Accessories for LC1E contactor



LAEP3



LAEP4



LAERC ●

LC1E ●●

Accessories for motor reverse assembly

Contactors with screw clamp terminals

Using 2 identical contactors	Set of power connections		Mechanical interlock	
	Cat. no.	Weight kg	Cat. no.	Weight kg
Mechanical interlock				
LC1E06...E12	LAEP1	0.020	LAEM1	0.030
LC1E18/E25	LAEP1 2	0.026	LAEM1	0.030
LC1E32/E38	LAEP2	0.040	LAEM1	0.030
LC1E40...E65	LAEP3	0.230	LAEM1	0.030
LC1E80/E95	LAEP4	0.465	LAEM4	0.095
LC1E120/E160	-		LAEM5	0.300
LC1E200/E250	-		LAEM6	0.110
LC1E300	-		LAEM7	0.250

RC surge suppressor

- Effective protection for circuits highly sensitive to "high frequency" interference and transient generated when the contactor coil is switched off. For use only in cases where the voltage is virtually sinusoidal, i.e. less than 5 % total harmonic distortion.
- Voltage limited to 3 Uc max. and oscillating frequency limited to 400 Hz max.
- Slight increase in drop-out time (1.2 to 2 times the normal time).

Mounting	For use with contactor Rating	Type	Cat. no.	Weight
		V~		kg
Screw mounting	LC1E06...E95	24...48	LAERCE	0.025
		50...127	LAERCG	0.025
		110...240	LAERCU	0.025
		380...415	LAERCN	0.025

TeSys E contactors

Accessories for LC1E contactor



LAEN22

Instantaneous auxiliary contact blocks for connection by screw clamp terminals

For use in normal operating environment

Clip-on mounting	Number of contacts per block	Cat. no.	Weight kg
Front	1 NO + 1 NC	LAEN11	0.035
	2 NO	LAEN20	0.035
	2 NC	LAEN02	0.035
	2 NO + 2 NC	LAEN22	0.060



LAETSD

Time delay auxiliary contact blocks for connection by screw clamp terminals 8 A - 690 V

Clip-on mounting	Number of contacts per block	Time delay Type	Setting range	Cat. no. ⁽¹⁾	Weight kg
Front	1 NO + 1 NC	On-delay	1...30 s	LAETSD	0.060

⁽¹⁾ For use only LC1E25 to LC1E300.

Instantaneous and time delay contact characteristics

Contact block type			LAEN11, 20, 02, 22	LAETSD				
Number of contacts			2 or 4	2				
Rated operational voltage (Ue)	Up to	V	690	690				
Rated insulation voltage (Ui)	Conforming to IEC 60947-5-1		690	690				
Conventional thermal current (Ith)	For ambient temperature $\theta \leq 60$ °C	A	8	8				
Frequency of the operational current		Hz	50/60	50/60				
Minimum switching capacity	U min	V	17	17				
	I min	mA	5	5				
Short-circuit protection	Conforming to IEC 60947-5-1	A	10	10				
Rated making capacity	Conforming to IEC 60947-5-1	I _{rms}	~ 140	~ 140				
Short-time rating	Permissible for	1 s	100	100				
		500 ms	120	120				
		100 ms	140	140				
Insulation resistance		mΩ	> 10	> 10				
Non-overlap time	Guaranteed between NC and NO contacts	ms	1.5 (on energisation and on de-energisation)	1.5 (on energisation and on de-energisation)				
Overlap time	Guaranteed between LAE N22 N/C and N/O contacts	ms	-	-				
Time delay	Ambient air temperature for operation	°C	-	-20...+70				
	Repeat accuracy		-	12 %				
	Drift up to 0.5 million operating cycles		-	+15 %				
	Drift depending on ambient air temperature		-	0.25 % per °C				
Mechanical durability		In millions of operating cycles	10	4				
Rated operational power of contacts (Conforming to IEC 60947-5-1)	a.c. supply categories AC14/15	V	24	48	115	230	400	440
	1 million operating cycles	VA	60	120	280	560	960	1050
	3 million operating cycles		16	32	80	160	280	300
	10 million operating cycles		4	8	20	4	70	80

Accessories for LC1E

Environment			
Contact block type			LAEN11, 20, 02, 22 LAETSD
Conforming to standard			IEC 60947-5-1
Product certifications			GOST
Protective treatment	Conforming to IEC 60068		"TH"
Degree of protection	Conforming to IEC 60529		IP20
Ambiant air temperature	Storage	°C	-60...+80
	Operation		-5...+55
	Permissible for operation at Uc		-20...+70
Maximum operating altitude	Without derating	m	3000
Connection by cable	Philips N° 2 and Ø 6 mm. Flexible or solid cable with or without cable end	mm ²	Min: 1 x 1 Max: 2 x 2.5

Accessories compatibility

Contactor	Built in contacts	LAEN●●	LAETSD	LAERC●	LAEM	LAEP●
LC1E06	1 NO or 1NC	1	-	-	-	-
LC1E09						
LC1E12						
LC1E18						
LC1E25	1 NO + 1NC	1	or 1	-	1	1
LC1E32						
LC1E38						
LC1E40						
LC1E50						
LC1E65						
LC1E80	-	-	-	-	-	-
LC1E95						
LC1E120						
LC1E160	-	2	or 0	-	-	DIY ⁽¹⁾
LC1E200						
LC1E250						
LC1E300						

⁽¹⁾ Do It Yourself.