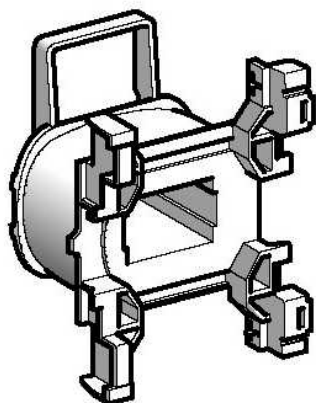


# LXD1M7

TeSys D - contactor coil - LXD1 - 220 V AC  
50/60 Hz for 9... 38 A contactor



## Main

Range of product	TeSys D
Product or component type	Contactor coil
Device short name	LXD1
Control circuit type	AC 50/60 Hz
Control circuit voltage	220 V AC 50/60 Hz
Average resistance	515.4 Ohm at 20 °C
Inductance of closed circuit	18 H
Product compatibility	LC1D09...D38 LC1DT20...DT40
Operating time	12...22 ms closing 4...19 ms opening
Motor power HP (according to UL / CSA)	9 Mcycles
Operating rate	3600 cyc/h at <= 60 °C

## Complementary

Coil technology	Without built-in suppressor module
Control circuit voltage limits	0.3...0.6 Uc at 60 °C drop-out 50/60 Hz 0.8...1.1 Uc at 60 °C operational 50 Hz 0.85...1.1 Uc at 60 °C operational 60 Hz
Inrush power in VA	70 VA at 20 °C (cos φ 0.75) 60 Hz 70 VA at 20 °C (cos φ 0.75) 50 Hz
Hold-in power consumption in VA	7.5 VA at 20 °C (cos φ 0.3) 60 Hz 7 VA at 20 °C (cos φ 0.3) 50 Hz
Heat dissipation	2...3 W at 50/60 Hz

## Environment

Ambient air temperature for operation	-5...60 °C
Product weight	0.07 kg

The information provided in this documentation contains general descriptions and/or technical characteristics of the performance of the products contained herein. This documentation is not intended as a substitute for and is not to be used for determining suitability or reliability of these products for specific user applications. It is the duty of any such user or integrator to perform the appropriate and complete risk analysis, evaluation and testing of the products with respect to the relevant specific application or use thereof. Neither Schneider Electric Industries SAS nor any of its affiliates or subsidiaries shall be responsible or liable for misuse of the information contained herein.