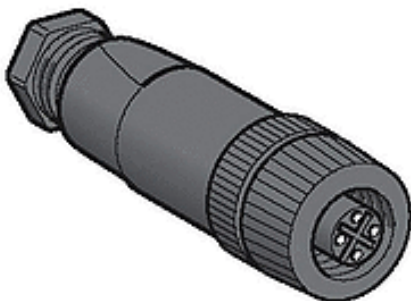


XZCC12FDP40B

female, M12, 4-pin, straight connector - cable gland Pg 7



Main

Accessory / separate part category	Cabling accessories
Accessory / separate part type	Connector
Electrical connection	Straight female connector M12 4 pins
Status LED	Without
Cable connection	Screw terminal / wire size $\leq 0.75 \text{ mm}^2$ / clamping capacity 3...6 mm
Cable gland type	Pg 7
[Ue] rated operational voltage	125 V AC 150 V DC

Complementary

Cable connector fixing	Screw-on
Enclosure material	Plastic
Collar material	Plastic
[In] rated current	3 A
Insulating resistance	$> 1000 \text{ GOhm}$
Contact resistance	$\leq 8000 \text{ }\mu\text{Ohm}$
Product weight	0.02 kg

Environment

IP degree of protection	IP67
Ambient air temperature for operation	$-40 \dots 85 \text{ }^\circ\text{C}$
RoHS EUR conformity date	0726
RoHS EUR status	Compliant