

## Hi-Spot 80 Superia (PAR 25)

HS80 SU 230V 75W 25° E27 SV1

**0021134**



### Range Features

- 



### PRODUCT OVERVIEW

Lamp finish	Aluminium
Lamp shape	PAR 25
Colour temperature (K)	2900
CRI (Ra)	100
Dimmable	Yes
EAN code	5410288211343
Energy class	D
Equivalent watt (W)	90
Cap/Base	E27
Beam angle(°)	25
Type	Hi-Spot 80 Superia
Watt (Nominal) (W)	75
Light colour	829 Warm white
Ordering number	0021134
Average life (h) - L70/B50	3000
Luminous flux (Rated) (lm)	670
Technology	Halogen
Voltage (V)	230

### DATA TABLE

#### General data

Average life (h) at Ta 25° C	3000
Control gear required	No
Lamp finish	Aluminium
Lamp shape	PAR 25

## Hi-Spot 80 Superia (PAR 25)

HS80 SU 230V 75W 25° E27 SV1

**0021134**

<b>Dimmable</b>	Yes
<b>EAN code</b>	5410288211343
<b>Energy class</b>	D
<b>Energy saving lamp</b>	No
<b>Fixture rating</b>	Open
<b>General application</b>	Retail; Hospitality; Museums; Consumer; Residential;
<b>IEC Reference</b>	IEC 60357
<b>IEC Reference 2</b>	IEC 60432-2
<b>IEC Reference 3</b>	IEC 60630
<b>Intended purpose</b>	General lighting
<b>Cap/Base</b>	E27
<b>Lamp mercury content (mg)</b>	0
<b>Type</b>	Hi-Spot 80 Superia
<b>No. of switching cycles before premature failure (min)</b>	>12000
<b>Ordering number</b>	0021134
<b>Product name</b>	HS80 SU 230V 75W 25° E27 SV1
<b>Average life (h) - L70/B50</b>	3000
<b>Special purpose lamp</b>	No
<b>Starting time (max) (s)</b>	0
<b>Technology</b>	Halogen
<b>Transformer required</b>	No
<b>Sales pack quantity</b>	15
<b>Warm-up time to 60% of full light (max) (s)</b>	Instant Full Light
<b>What temperature Life is measured at (°C):</b>	25

### Optical data

<b>Colour temperature (K)</b>	2900
<b>CRI (Ra)</b>	100
<b>Beam angle(°)</b>	25
<b>Light colour</b>	829 Warm white
<b>Lumen maintenance at end of nominal life (%)</b>	80
<b>Luminous flux (Nominal) (lm)</b>	670
<b>Peak intensity (cd)</b>	1300
<b>Luminous flux (Rated) (lm)</b>	670
<b>Suitable for accent lighting</b>	Yes
<b>Beam angle (Rated) (°)</b>	25

## Hi-Spot 80 Superia (PAR 25)

HS80 SU 230V 75W 25° E27 SV1

**0021134**

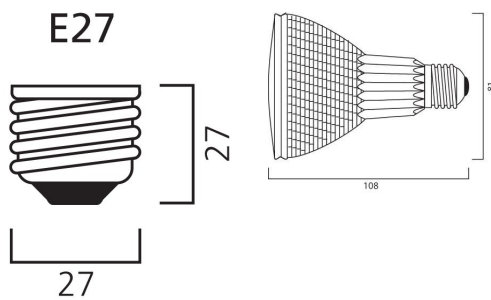
### Electrical data

<b>Current (A)</b>	0.326
<b>Equivalent watt (W)</b>	90
<b>kWh per 1000 hours burning time</b>	75
<b>Lamp power factor</b>	1
<b>Watt (Nominal) (W)</b>	75
<b>Watt (Rated) (W)</b>	75
<b>Voltage (V)</b>	230

### Physical data

<b>Max. Lamp Diameter (mm) - D</b>	80
<b>Lamp Length (mm) - C/L</b>	108
<b>Single packaging type</b>	Box/Sleeve
<b>Weight (kg)</b>	0.14
<b>Lamp dimension equal to filament lamp equivalent</b>	Yes
<b>Designed for optimum use in non standard conditions</b>	No
<b>Outer package dimensions (L x W x H) (cm)</b>	42.50 x 26.00 x 13.00
<b>Single package dimensions (L x W x H) (cm)</b>	11.70 x 7.80 x 7.80

### TECHNICAL DRAWINGS



## Hi-Spot 80 Superia (PAR 25)

HS80 SU 230V 75W 25° E27 SV1

**0021134**

